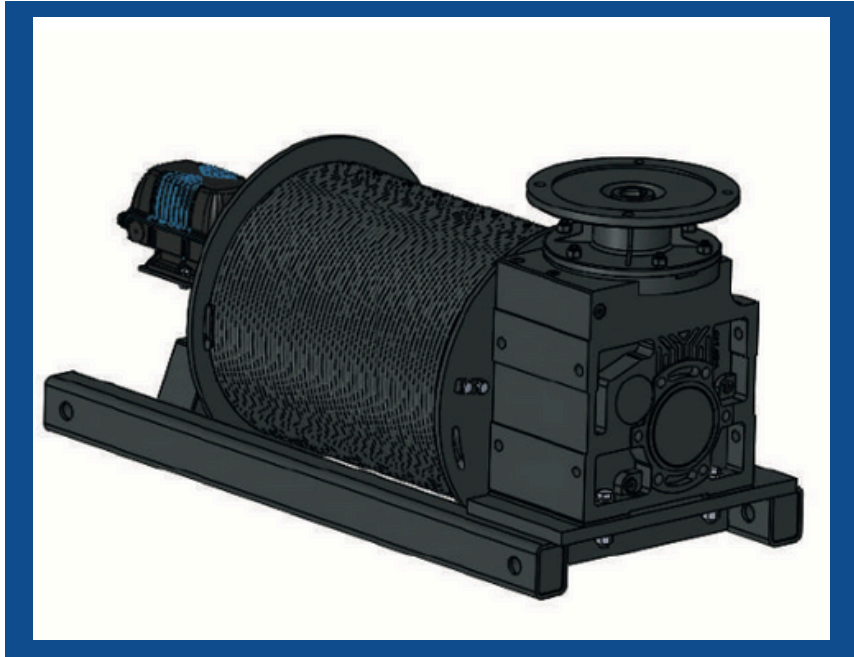


WINCH 5,5 kW



TROLLEY WINCH MODEL AC.021080_16				
POWER	MOTOR 7,5 kW			
ROPE SIZE (mm)	∅ mm	16	∅ in	0,63
LINE PULL ON THE ROPE	t	0,98	USt	1,08
ROPE SPEED	m/min	44,56	fpm	146,19
ROPE CAPACITY	m	84,06	∩	275,78